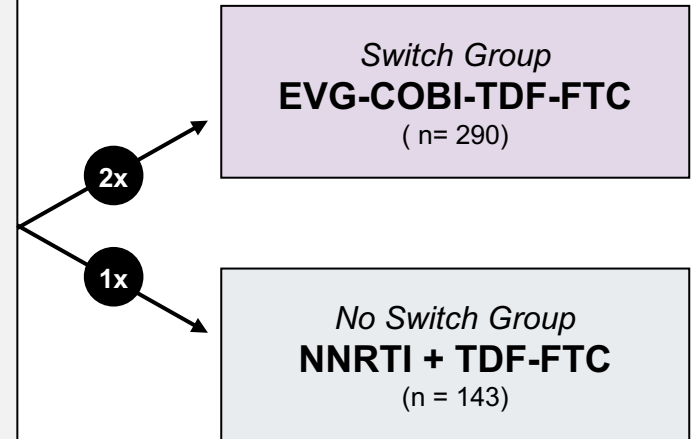


Switch from NNRTI-Based Regimen to EVG-COBI-TDF-FTC
Study 121 (STRATEGY-NNRTI)

Switch from NNRTI-Based Regimen to EVG-COBI-TDF-FTC

STRATEGY-NNRTI: Design

- **Background:** Open-label, randomized, phase 3b trial comparing switch to elvitegravir-cobicistat-tenofovir DF-emtricitabine versus continuation of baseline regimen of NNRTI + TDF-FTC
- **Inclusion Criteria** (n = 439)
 - HIV RNA <50 copies/mL on ART for ≥6 months
 - Baseline regimen of NNRTI + TDF-FTC
 - No prior virologic failure
 - No resistance to TDF or FTC
 - CrCl ≥70 mL/min
- **Treatment Arms**
 - EVG-COBI-FTC-TDF (Switch group)
 - Remain on NNRTI + FTC-TDF (No switch group)

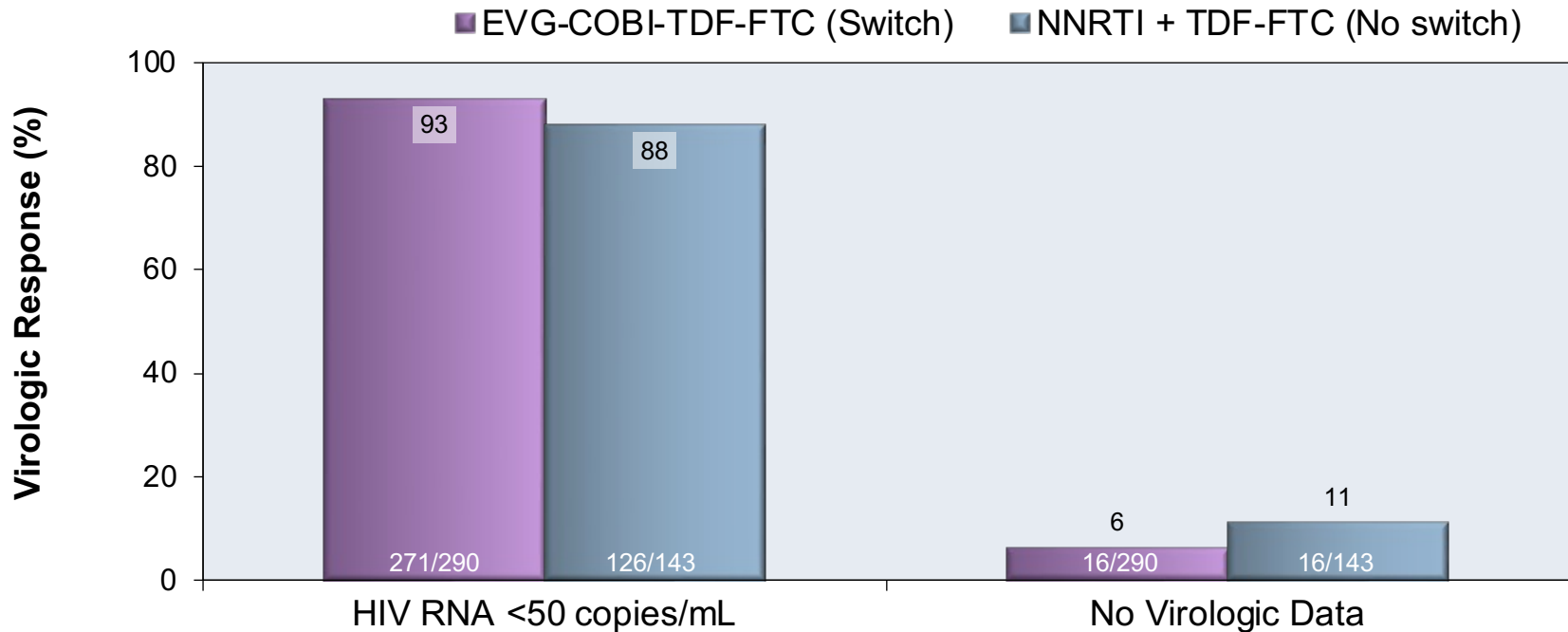


***NOTE:** 2 participants from switch group and 4 participants from no-switch group were excluded from the study after screening (2 protocol violation, 1 non-adherence, 3 withdrew consent)

Switch from NNRTI-Based Regimen to EVG-COBI-TDF-FTC

STRATEGY-NNRTI: Results

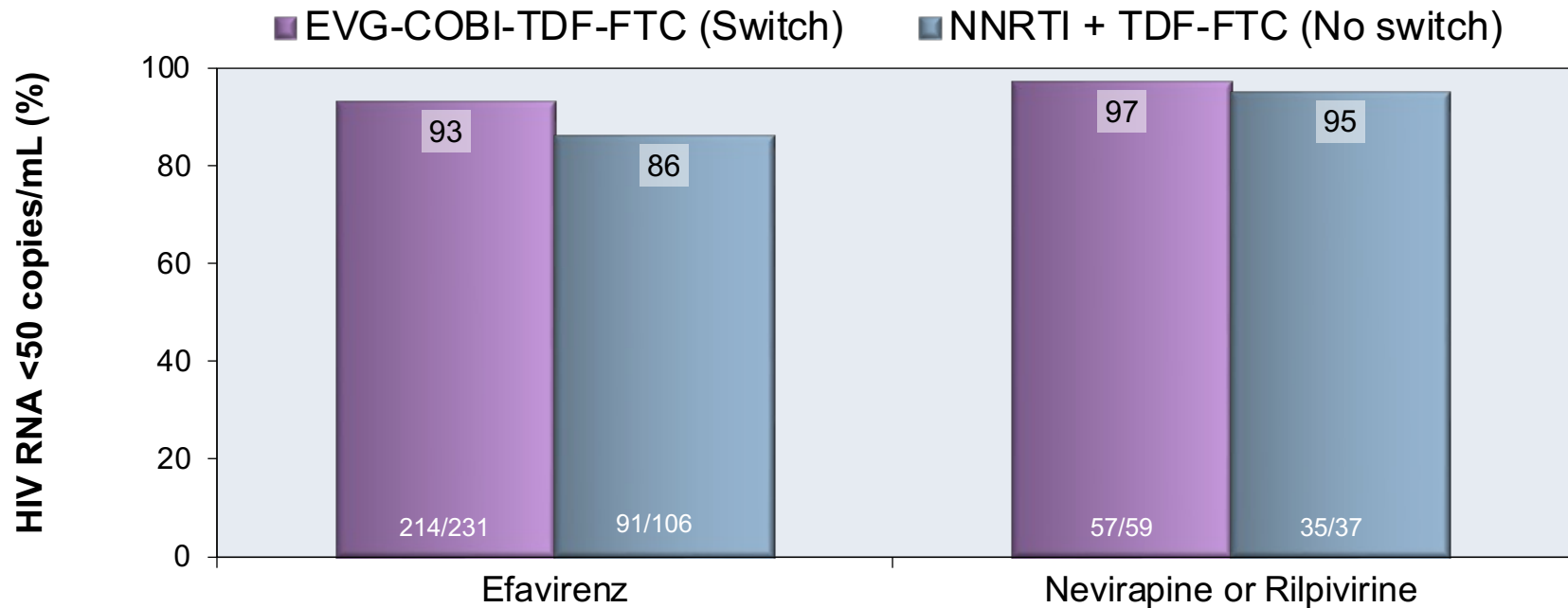
Week 48 Virologic Response



Switch from NNRTI-Based Regimen to EVG-COBI-TDF-FTC

STRATEGY-NNRTI: Results

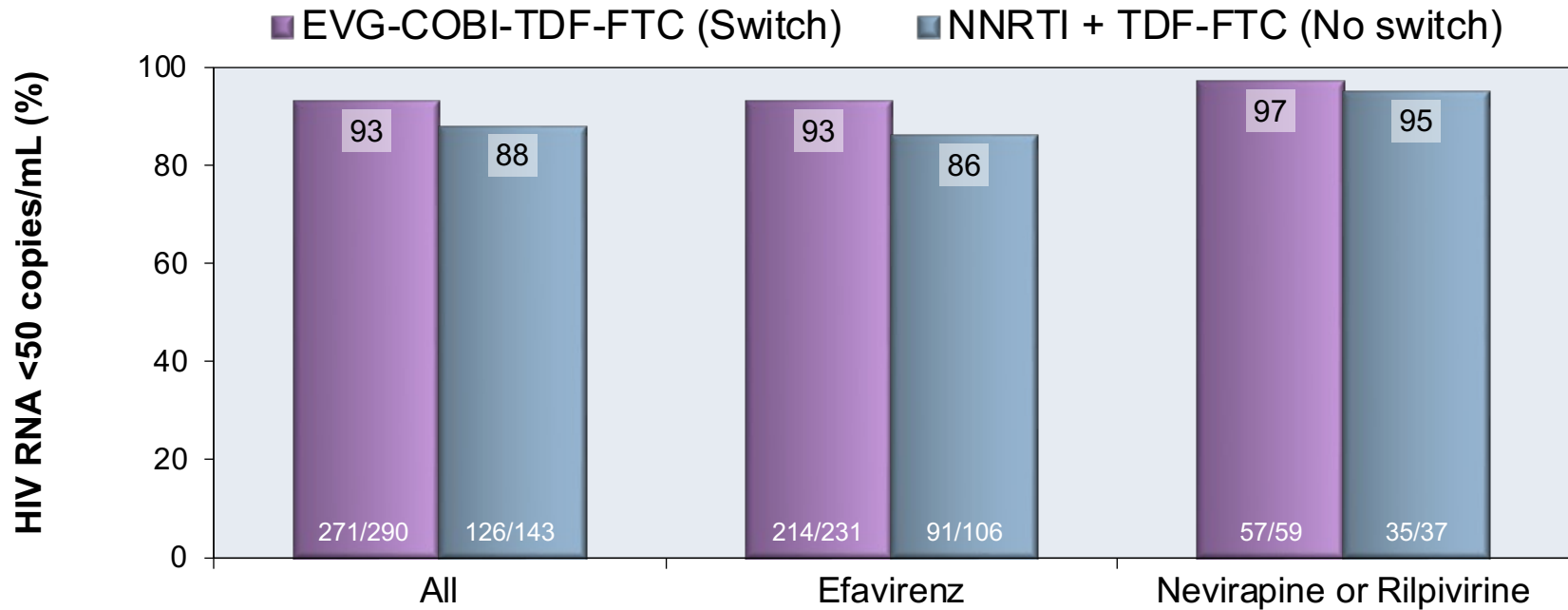
Week 48 Virologic Response, Subgroup Analysis, by Baseline NNRTI Regimen



Switch from NNRTI-Based Regimen to EVG-COBI-TDF-FTC

STRATEGY-NNRTI: Results

Week 48 Virologic Response, Subgroup Analysis, by Baseline NNRTI Regimen



Switch from NNRTI-Based Regimen to EVG-COBI-TDF-FTC

STRATEGY-NNRTI: Conclusions

Interpretation: “Coformulated elvitegravir, cobicistat, emtricitabine, and tenofovir seems to be efficacious and well tolerated in virologically suppressed adults with HIV and might be a suitable alternative for patients on an NNRTI with emtricitabine and tenofovir regimen considering a regimen modification or simplification.”

Acknowledgments

The **National HIV Curriculum** is supported by the Health Resources and Services Administration (HRSA) of the U.S. Department of Health and Human Services (HHS) as part of a financial assistance award totaling \$1,021,448 with 0% financed with non-governmental sources. The contents are those of the author(s) and do not necessarily represent the official views of, nor an endorsement, by HRSA, HHS, or the U.S. Government. For more information, please visit HRSA.gov. This project is led by the University of Washington's Infectious Diseases Education and Assessment (IDEA) Program.

